

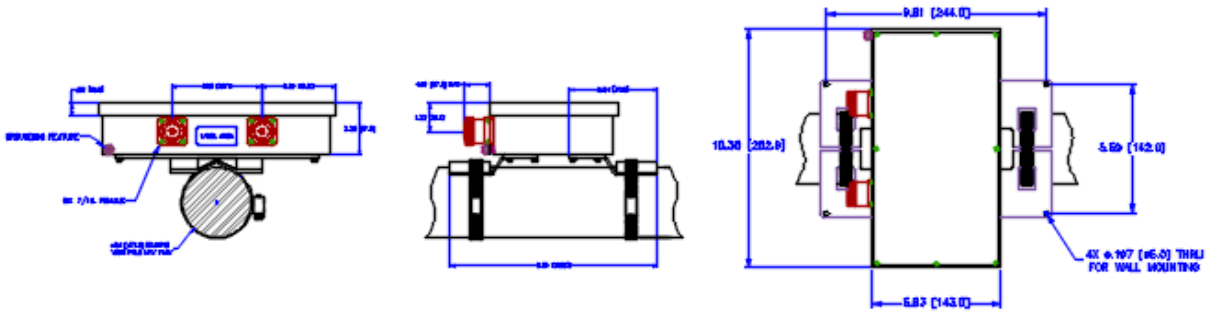
NEW PRODUCT RELEASE

B1078

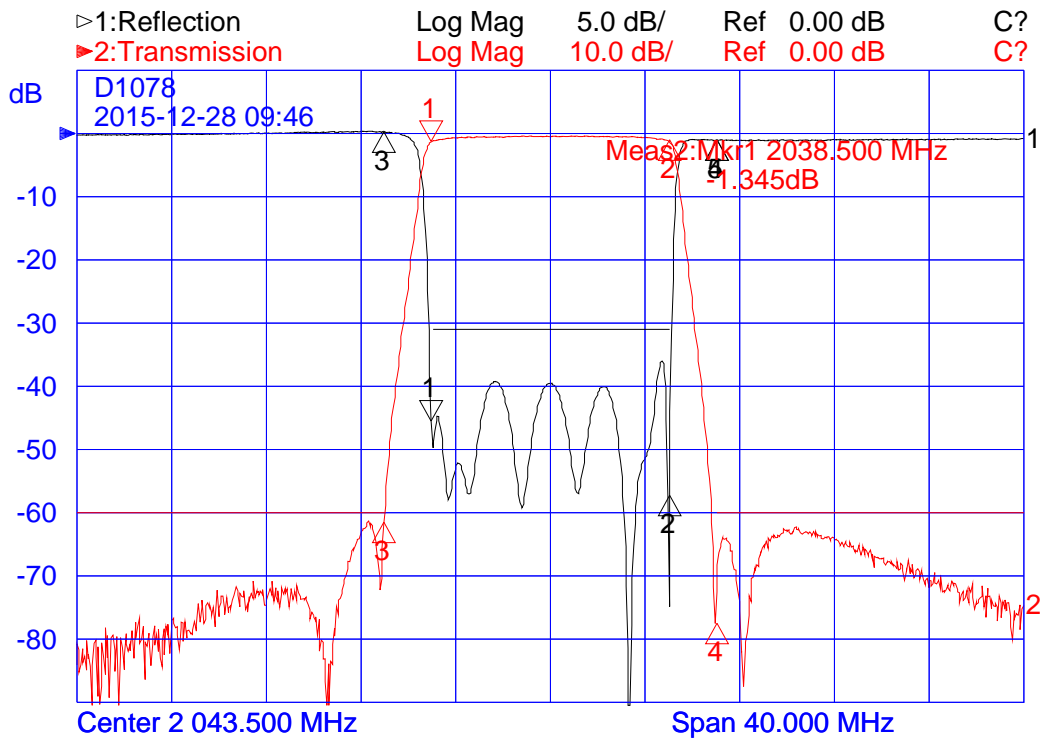


2 GHz, Weatherized Bandpass Filter.

PARAMETER	SPECIFICATION
BANDWIDTH:	10 MHz
INSERTION LOSS:	1.5 dB max.
RETURN LOSS:	15.0 dB min.
REJECTION:	
+/- 2 MHz FROM BAND EDGE:	60 dB min.
OPERATING TEMPERATURE	-40° to +55°C
CONNECTORS	7/16, IP67 FEMALE
FINISH	PAINTED
DIMENSIONS (L x W x H)	10.35" x 5.63" x 2.25"
WEIGHT	5.5 LB (2.5 Kg)
DESIGN OPTIONS	<ul style="list-style-type: none"> ➤ All TechPlus Microwave products can be designed to mount in any configuration you require. ➤ All products can be designed for outdoor use (Weather sealed).



Bandpass Data @ +24°C



1:Mkr (MHz)	dB	2:Mkr (MHz)	dB
1> 2038.5000	-22.734	1> 2038.5000	-1.345
2: 2048.5000	-28.647	2: 2048.5000	-1.123
3: 2036.5000	0.171	3: 2036.5000	-61.594
4: 2050.5000	-0.534	4: 2050.5000	-77.529
5: 2050.5000	-0.534		