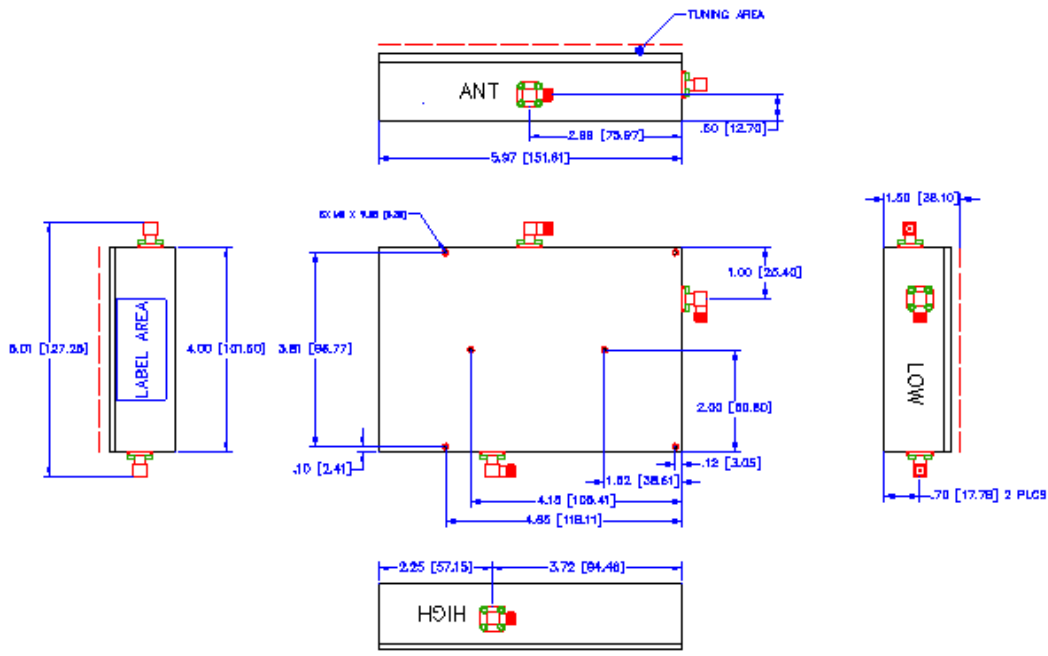
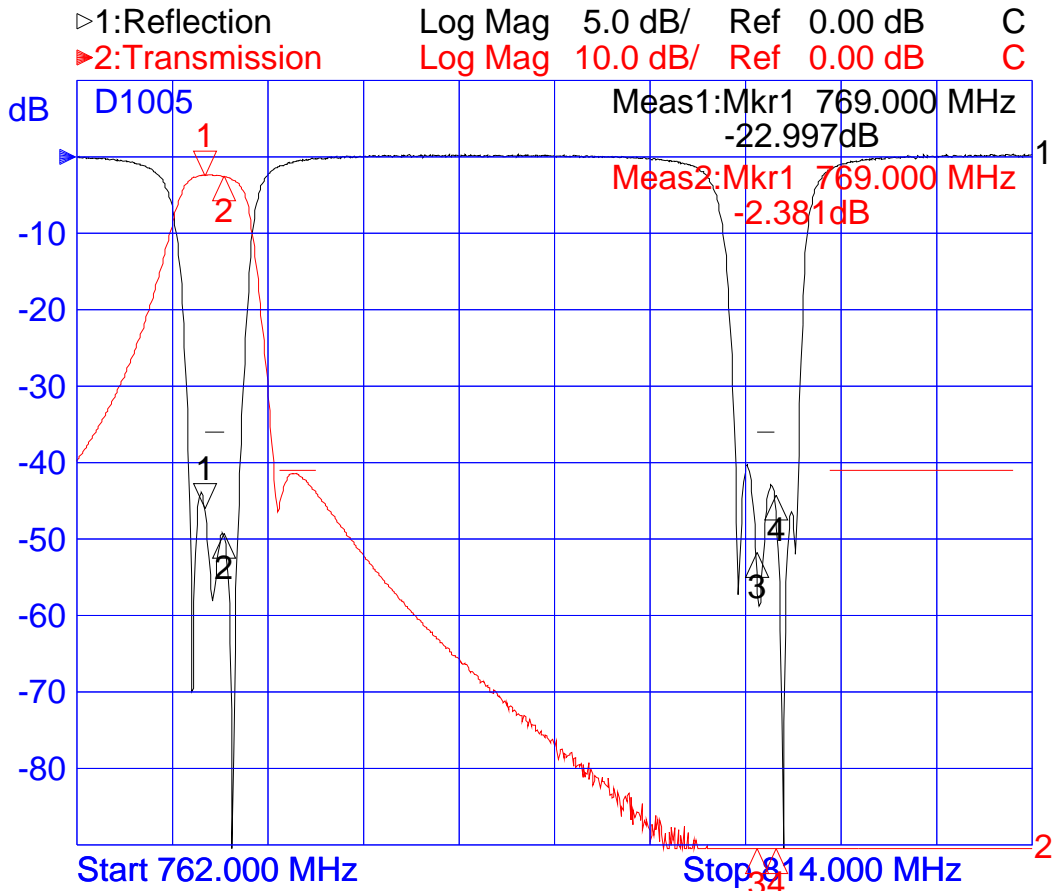


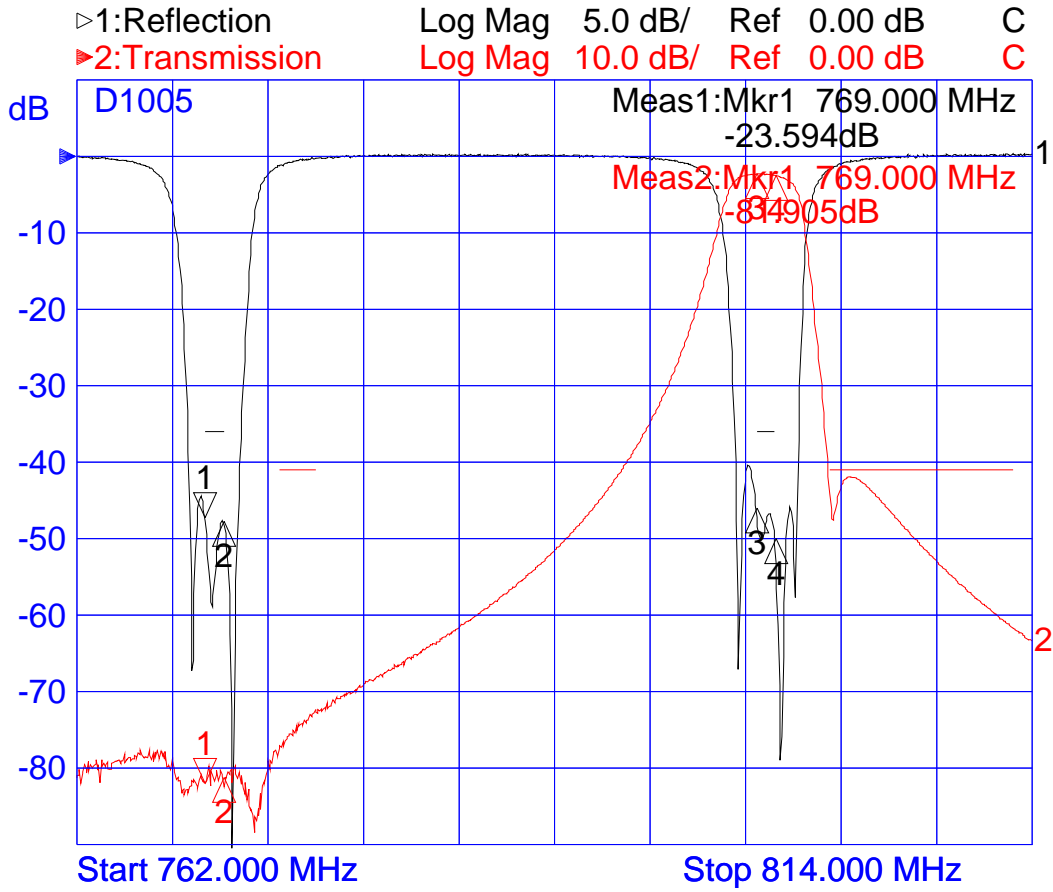
## Public Safety Band DUPLEXER



PARAMETER	SPECIFICATION
RECEIVE PASSBAND	769 – 770 MHz
TRANSMIT PASSBAND	799 – 800 MHz
INSERTION LOSS	2.75 dB max.
RETURN LOSS	18.0 dB min.
REJECTION	
RECEIVE 773-775 MHz	40 dB min.
TRANSMIT 803-869 MHz	40 dB min.
ISOLATION TX/RX	80 dB min.
OPERATING TEMPERATURE	0° to +65°C
STORAGE TEMPERATURE	-20° to +75°C
CONNECTORS	SMA Female Right Angle
FINISH	None
DIMENSIONS (L x W x H)	5.97" x 4.0" x 1.5"
DESIGN OPTIONS	<ul style="list-style-type: none"> <li>➤ All TechPlus Microwave products can be designed to mount in any configuration you require.</li> <li>➤ All products can be designed for outdoor use (Weather sealed).</li> </ul>



1:Mkr (MHz)	dB	2:Mkr (MHz)	dB
1> 769.0000	-22.997	1> 769.0000	-2.381
2: 770.0000	-24.627	2: 770.0000	-2.593
3: 799.0000	-25.907	3: 799.0000	-101.68
4: 800.0000	-22.166	4: 800.0000	-100.21



1:Mkr (MHz)	dB	2:Mkr (MHz)	dB
1> 769.0000	-23.594	1> 769.0000	-81.905
2: 770.0000	-23.857	2: 770.0000	-81.171
3: 799.0000	-22.997	3: 799.0000	-2.341
4: 800.0000	-25.028	4: 800.0000	-2.481