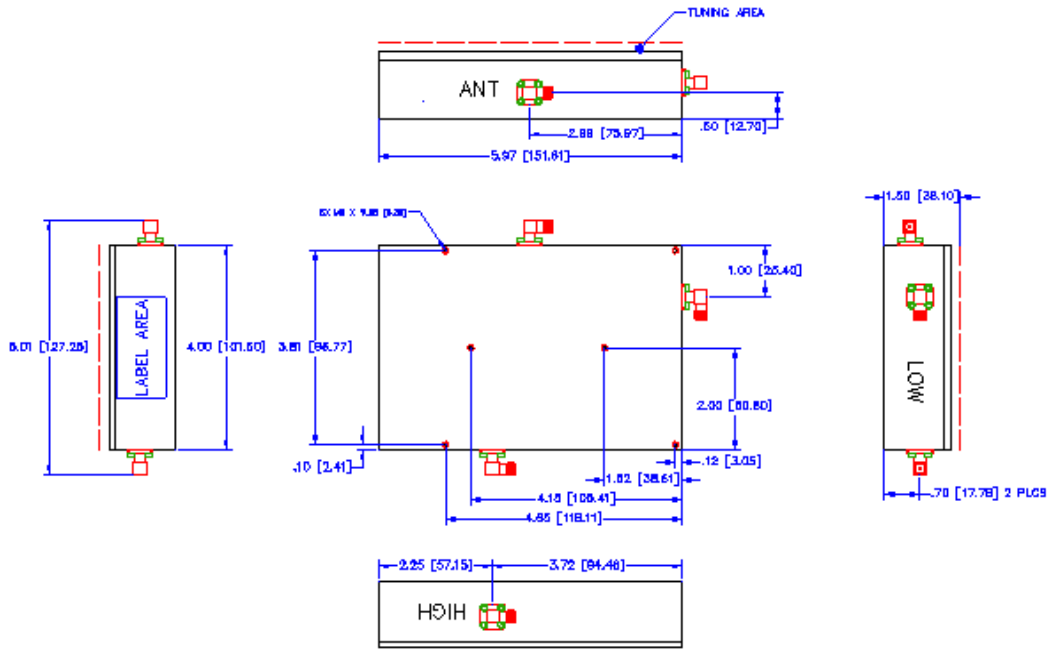
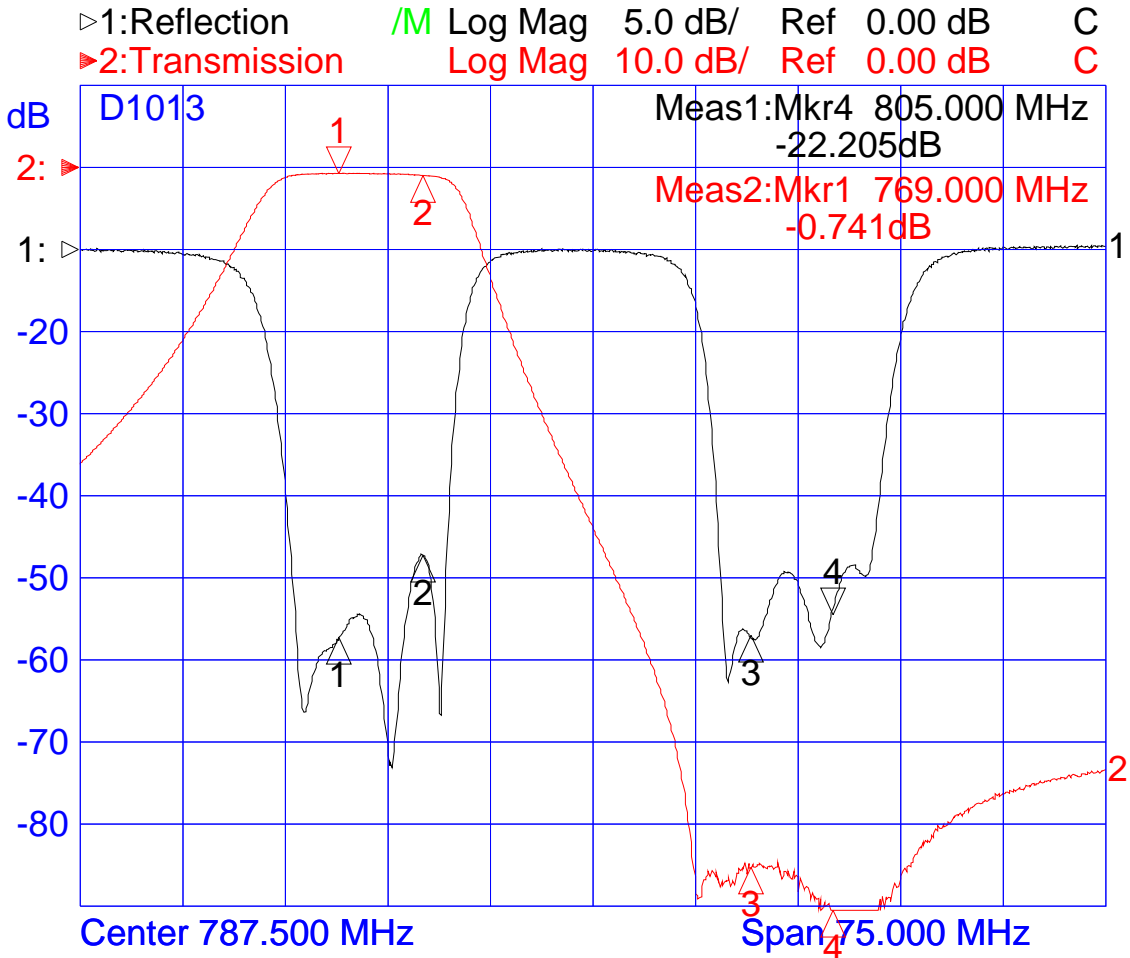


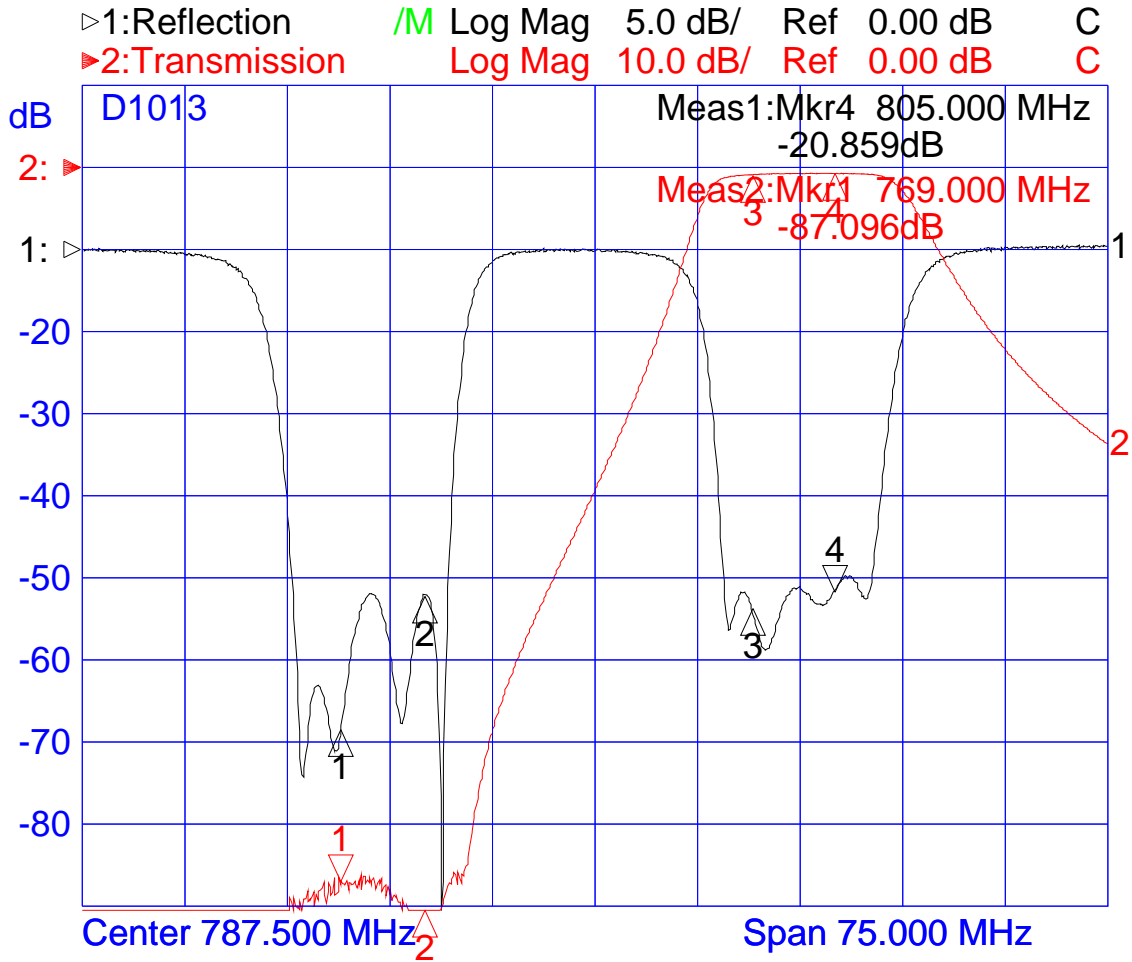
Public Safety Band DUPLEXER



PARAMETER	SPECIFICATION
RECEIVE PASSBAND	769 – 775 MHz
TRANSMIT PASSBAND	799 – 805 MHz
INSERTION LOSS	1.5 dB max.
RETURN LOSS	18.0 dB min.
ISOLATION TX/RX	80 dB min.
OPERATING TEMPERATURE	0° to +65°C
STORAGE TEMPERATURE	-20° to +75°C
CONNECTORS	SMA Female Right Angle
FINISH	None
DIMENSIONS (L x W x H)	5.97" x 4.0" x 1.5"
DESIGN OPTIONS	<ul style="list-style-type: none"> ➤ All TechPlus Microwave products can be designed to mount in any configuration you require. ➤ All products can be designed for outdoor use (Weather sealed).



1:Mkr (MHz)	dB	2:Mkr (MHz)	dB
1: 769.0000	-23.682	1> 769.0000	-0.741
2: 775.0000	-18.573	2: 775.0000	-0.977
3: 799.0000	-23.514	3: 799.0000	-85.167
4> 805.0000	-22.205	4: 805.0000	-90.729



1:Mkr (MHz)	dB	2:Mkr (MHz)	dB
1: 769.0000	-29.199	1> 769.0000	-87.096
2: 775.0000	-21.072	2: 775.0000	-93.362
3: 799.0000	-21.823	3: 799.0000	-0.908
4> 805.0000	-20.859	4: 805.0000	-0.745